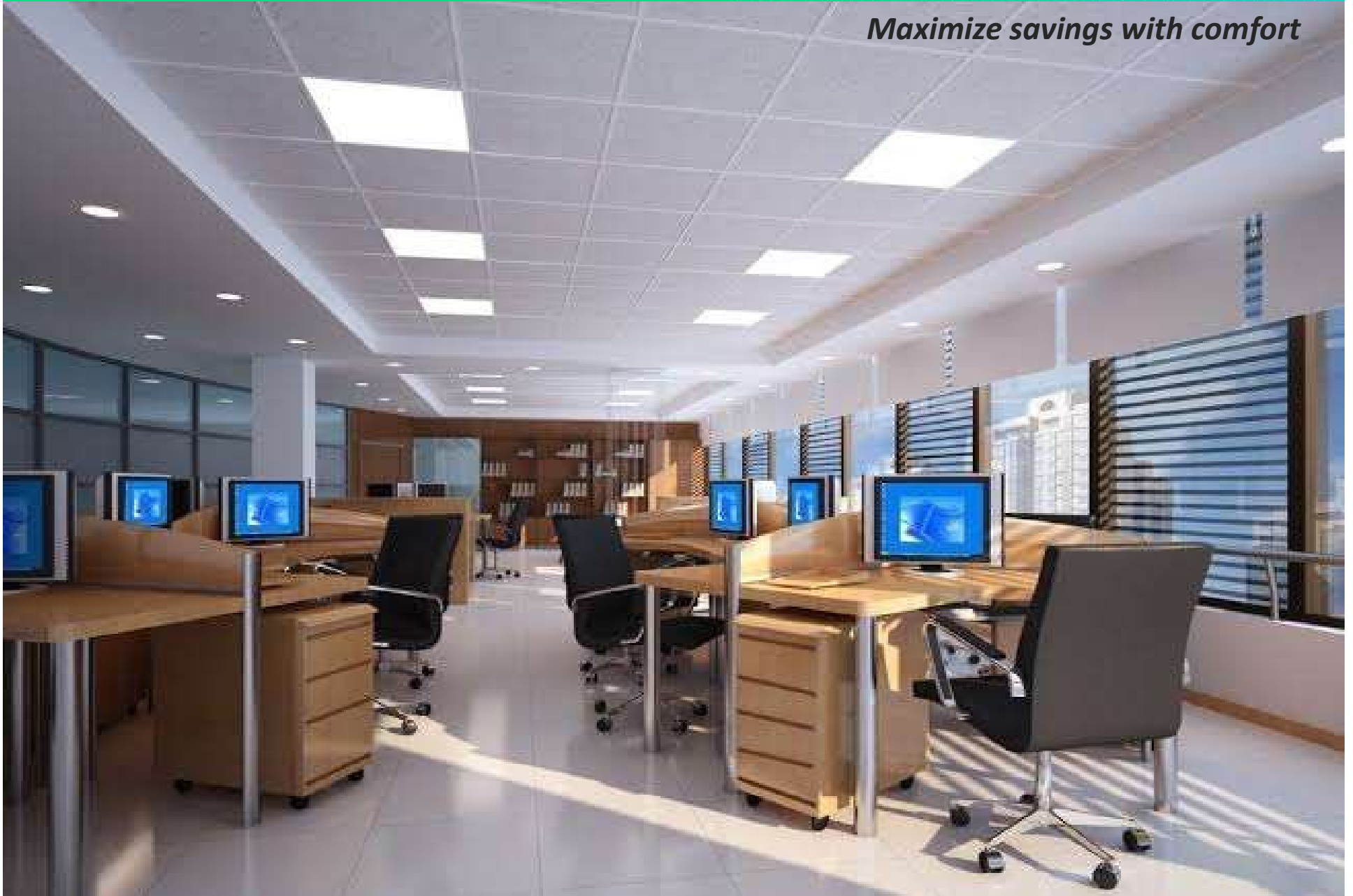




Full Glow RC380 G5

Full Glow G5 - High on Efficacy , Low on Cost

Maximize savings with comfort



Focus on general illumination applications

- Office
 - Open plan
 - Cell office
 - Meeting room
- Retail
- Healthcare
- Hospitality
- Mall



Lighting the path to productivity

Ambiance: Visual appeal is one way that lighting improves workplace effectiveness. More attractive facilities will be used more effectively for longer periods of time. Bright, inviting general lighting can highlight reception areas and elevator banks, and make public areas appear relaxed and welcoming.



Sustainability: Many corporations see a greener future ahead because sustainability means improving competitiveness. The U.S. Green Building Council's LEED Building Rating System has shown that top companies do well by doing good, too, with green buildings that deliver better bottom-line performance. With that in mind, choosing high-performance, green lighting solutions shows that your organization takes its role as an environmental steward seriously. Earning respect from employees and customers could translate into better financial performance.

Well-being: Applied correctly, lighting motivates people and helps them accomplish goals. Adaptable lighting can help improve occupant comfort, boost their energy, and increase workflow efficiencies. Too much light—or too little—can intensify worker fatigue. Flexible lighting can motivate employees by accommodating varying work styles and business demands. When occupants are in control of their environments, they are more at ease and more able to positively affect their productivity.

Full Glow :Efficient , Maintenance free, Long Life , Easy To Experience.

Performance : A perfect blend of the latest LED technology and efficient design ensures perfectly uniform illumination.

Long-life: Controlled Design & manufacturing process ensures robust product with superior quality and longer product life-class.

Flicker-Free: Carefully designed driver ensures ripple < 5% and peace of mind.

Simple and quick: Easy to Install without any specialized tools.

Fit and Forget : A long service life and almost complete freedom from maintenance significantly reduce operating costs.

Lower OPEX



Full Glow – The Surface of Light



Features and Benefits

- Energy Efficient - High Efficacy of $> 125 \text{ Lm/W}$
- Comfortable Light - CRI of 80 to ensure better color rendering
- Lifetime : 50,000 Hrs. @ $Ta45^{\circ}\text{C}$, BIS Approbation - Safe and Reliable performance
- THD $<10\%$ - Higher power factor, lower peak currents, and higher efficiency.
- Over Voltage Protection, -Operating voltage of 140-270V with cut off and auto restart feature @325V
- Flicker Free Lighting Effects - New light platform and optical design with ripple $< 5\%$
- Lighting solution with high uniformity provides comfort in office lighting experience
- Multiple Lumen Packs & CCT - For different office applications and mounting heights

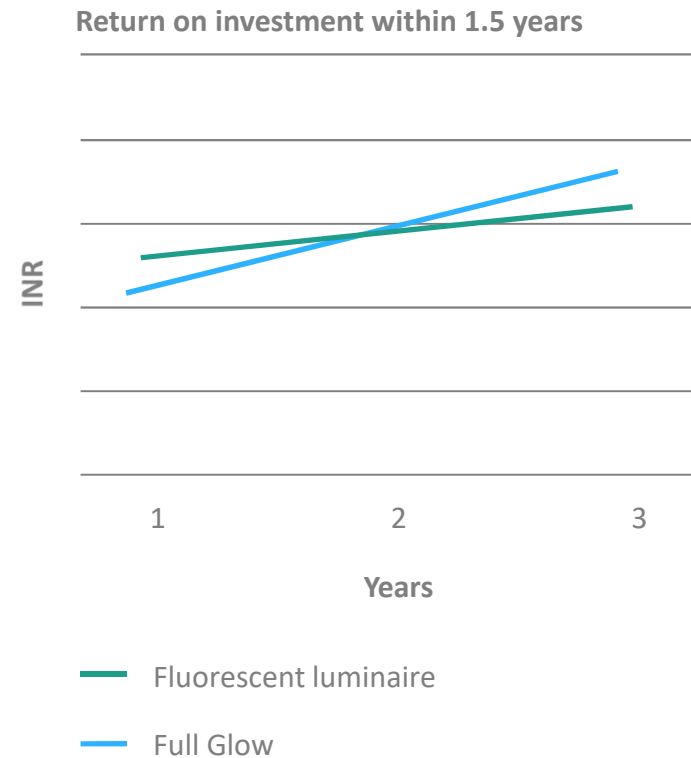
Product Specifications

S No.	Description	RC380 G5
1	System Lumen	2500/3000/3600/4200 lm
2	CCT	4000 / 5700/ 6500K
3	CRI/ SDCM	80, <5
4	Electrical Insulation	Class -1
6	Serviceability	Class B
7	Ambient Temperature	45°C
8	Efficacy	>125 lm/W
9	Surge	4 KV Internal
10	Driver	Fixed Current output/ Dali / IA/ IAO*/POE*
11	Operating Voltage	140-270V
12	THD	≤10% (At Full Load)
13	Housing Material / Finishing	CRCA
14	Ripple	<5%
15	EMI/EMC	Complaint
16	Diffuser Material	Polystyrene (PS)
18	Look & Feel	Fully Diffused Diffuser
19	Life class	L70B50 @ 50K Hrs.@ 45 Degree Ambient
20	Approbation	BIS
21	Dimensions	595X595X70

Low Total Cost of Ownership

Across a long lifetime of reliable operation

- Good balance between initial cost and return on investment
- Payback within 1.5 years
- Outstanding Back-lit solution with efficacy (> 125 lm/W)
- Ease of installation and maintenance saves time and money



Your office, your way

Whatever your ceiling height , the varied lumen packs and CCTs , can have optimal design for your office application – expert Philips engineers can design the optimum settings for typical offices.

You can design :

Open-plan offices



Private offices



Meeting rooms



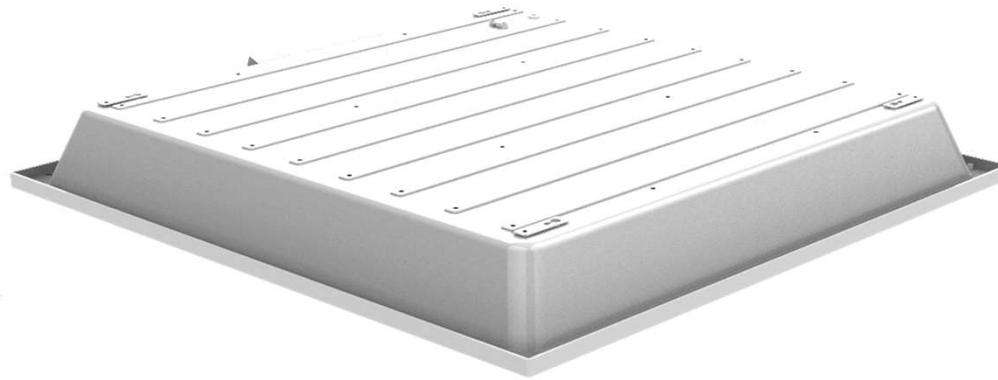
Full Glow RC380 G5

L70B50 , 50K Hrs.

Fits in Budget



Reliable



Environment
Friendly



Easy to Install



> 125 Lumen/Watt

signify

Full Glow RC380 G5 Peace of Mind



Flicker Free Lighting Solution

New generation 2X2 Full Glow offers flicker free operations. Fluctuation of the light source can occur when the power signal from the driver to the light source is not constant but instead contains some degree of 'ripple'. The amount of 'ripple' is strongly influenced by the way the driver or ballast is designed. Its driver is carefully designed for ripple <math>< 5\%</math>.

The Flicker Effect



Temporal Light Artefacts (TLA)

Temporal Light Artefacts (TLA) is the general term for visual effects which are caused by a rapidly fluctuating light source causing an undesired effect for the observer. The two most important effects are flicker and stroboscopic effect.



Flickering & Stroboscopic effect

When an observer looks at a light source and sees a rapid changing of the intensity, this can be described as flicker. Its typical range is between 0.1Hz up to 80Hz. When an observer looks at a moving object and instead of a fluid motion observes several steps, this can be denoted as stroboscopic effect. Contrary to flicker, this is observed for light fluctuation at much higher frequencies (80Hz up to 2000Hz).



Cause of Flicker

- Drivers & Boards
- Fluctuating light
- Driver and light source

The Consequence

Effect of flicker & stroboscopic effect on health and wellbeing



Human impact

Even though we do not always notice flicker and/or stroboscopic effect it can have a severe impact on our health and wellbeing and can cause:

- Headache
- Neurological disorder: Photosensitive epilepsy
- Sensitivity Autism
- Performance reduction

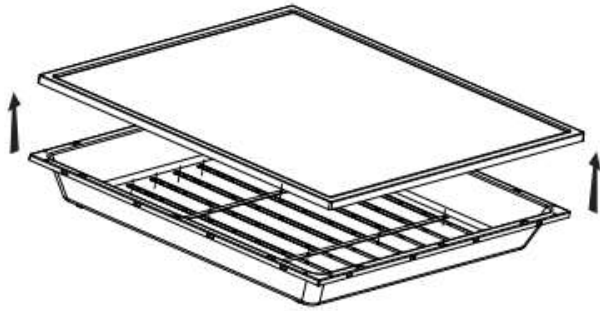


Safety impact

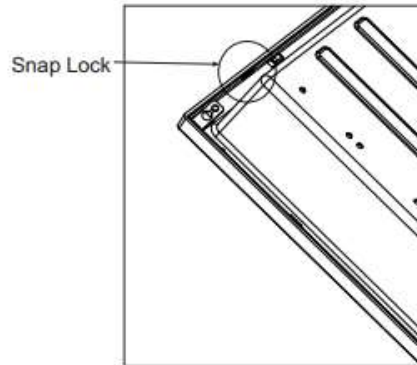
However, it can also have a severe impact on the safety. When individuals are not able to accurately detect fast moving objects, accidents can happen. Flicker and stroboscopic effect can also cause distraction which in turn can lead to accidents.

MI Sheet

Only for any servicing work
Diffuser frame can be opened (but not recommended)



Open Snap Locks from Diffuser Frame
to open the Fitting for access.



Pull Snap Locks from all positions to Open Frame

Installation Instructions

PHILIPS

FULL GLOW Rc380 G5
Recessed

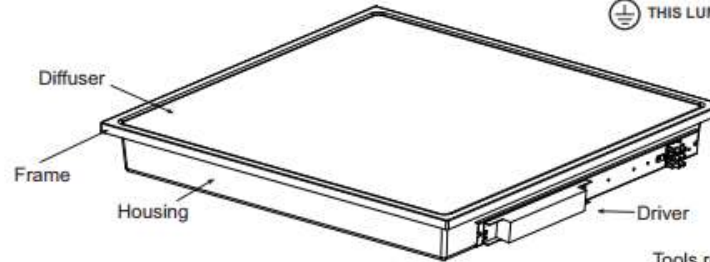
IEC
60598

IP20

NO INSULATION

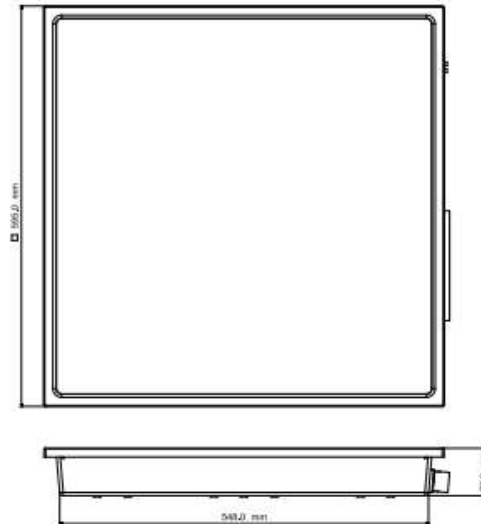
INDOOR

⊕ THIS LUMINAIRE MUST BE EARTHED



Tools required for installation :
1-Screw Driver

Product Dimensions



4115 100 21350

! ATTENTION: Install in accordance with national and local building and electrical codes.

MI Sheet

1

Open hanging hook, then engage safety chain.

2

Wire Stripping Wire size 0.5-1.5mm²
 Conductor Length 8-9mm 40mm
 45mm

LED DRIVER

Insert 3 wires L, N, & E in 3 Pin Terminal connector.

Mains ←

NOTE: DO NOT OPEN ANY SCREWS

3

Push the Luminaire inside ceiling Structure after connections (Push the driver side first)

4

Put luminaire gently on the T-section of ceiling structure

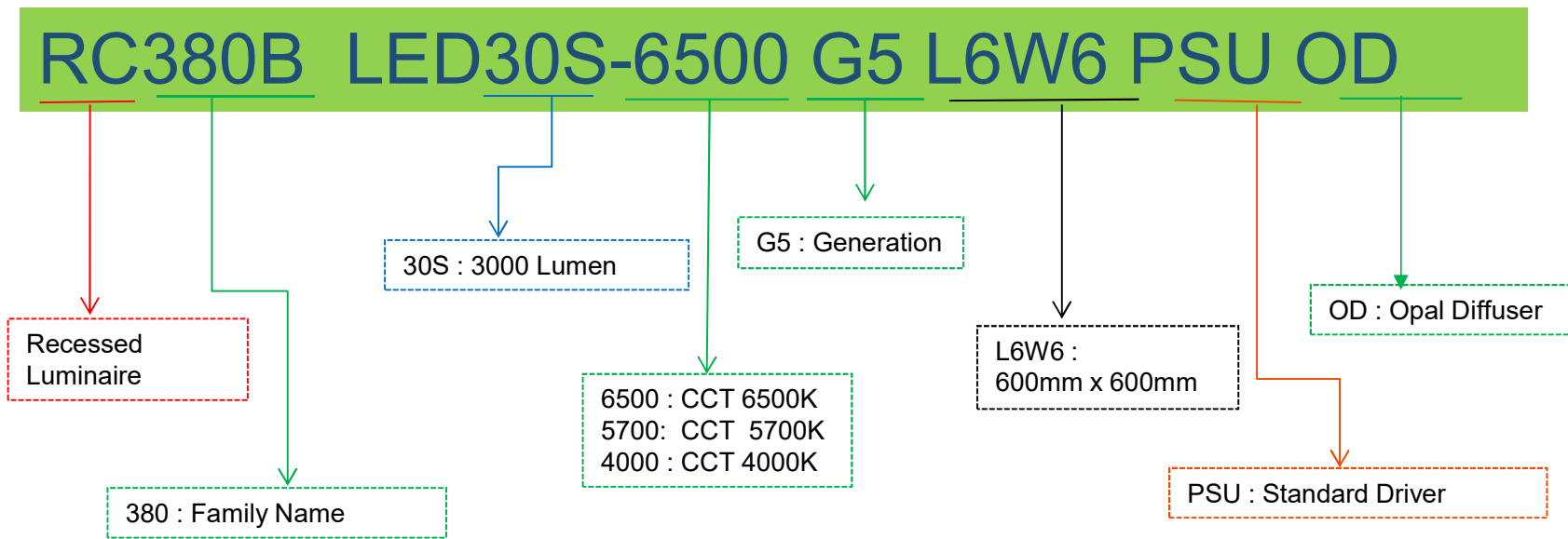
5 Luminaire is ready for operation.

!

The Luminaire shall, under no circumstances, be covered with any insulating material. It will harm the system

Ceiling Structure
Luminaire Housing

How to read the Cat ref



Ordering Codes : PSU

S No.	12 NC	Description	Spare Driver 12NC	Qty Per Box
1	9195 158 13453	RC380B LED25S-4000 G5 L60W60 PSU OD	919415811093	2
2	9195 158 13454	RC380B LED25S-5700 G5 L60W60 PSU OD		2
3	9195 158 13455	RC380B LED25S-6500 G5 L60W60 PSU OD		2
4	9195 158 13456	RC380B LED30S-4000 G5 L60W60 PSU OD	919415811094	2
5	9195 158 13457	RC380B LED30S-5700 G5 L60W60 PSU OD		2
6	9195 158 13458	RC380B LED30S-6500 G5 L60W60 PSU OD		2
7	9195 158 13459	RC380B LED36S-4000 G5 L60W60 PSU OD	919415811095	2
8	9195 158 13460	RC380B LED36S-5700 G5 L60W60 PSU OD		2
9	9195 158 13461	RC380B LED36S-6500 G5 L60W60 PSU OD		2
10	9195 158 13462	RC380B LED42S-4000 G5 L60W60 PSU OD	919415811096	2
11	9195 158 13463	RC380B LED42S-5700 G5 L60W60 PSU OD		2
12	9195 158 13464	RC380B LED42S-6500 G5 L60W60 PSU OD		2

Ordering Codes : PSD

S No.	12 NC	Description	Spare Driver 12NC	Qty Per Box
1	9195 158 13465	RC380B LED25S-4000 G5 L60W60 PSD OD	<p>9290 016 81906 Xitanium 60W 0.15-0.5A 220V TD21 230V /</p> <p>9290 008 52103 Xitanium 75W 0.12-0.4A 215V TD 230 Set Current by Multi-One</p>	2
2	9195 158 13466	RC380B LED25S-5700 G5 L60W60 PSD OD		2
3	9195 158 13467	RC380B LED25S-6500 G5 L60W60 PSD OD		2
4	9195 158 13468	RC380B LED30S-4000 G5 L60W60 PSD OD		2
5	9195 158 13469	RC380B LED30S-5700 G5 L60W60 PSD OD		2
6	9195 158 13470	RC380B LED30S-6500 G5 L60W60 PSD OD		2
7	9195 158 13471	RC380B LED36S-4000 G5 L60W60 PSD OD		2
8	9195 158 13472	RC380B LED36S-5700 G5 L60W60 PSD OD		2
9	9195 158 13473	RC380B LED36S-6500 G5 L60W60 PSD OD		2
10	9195 158 13474	RC380B LED42S-4000 G5 L60W60 PSD OD		2
11	9195 158 13475	RC380B LED42S-5700 G5 L60W60 PSD OD		2
12	9195 158 13476	RC380B LED42S-6500 G5 L60W60 PSD OD		2

Ordering Codes : C4M

S No.	12 NC	Description	Spare Driver 12NC	Qty Per Box
1	9195 158 13477	RC380B LED30S-4000 G5 L60W60 IA OD	9137 136 12666 Xitanium 54W, 90-180V, 150-300mA	2
2	9195 158 13478	RC380B LED30S-5700 G5 L60W60 IA OD		2
3	9195 158 13479	RC380B LED30S-6500 G5 L60W60 IA OD		2
4	9195 158 13480	RC380B LED36S-4000 G5 L60W60 IA OD		2
5	9195 158 13481	RC380B LED36S-5700 G5 L60W60 IA OD		2
6	9195 158 13482	RC380B LED36S-6500 G5 L60W60 IA OD		2
7	9195 158 13483	RC380B LED42S-4000 G5 L60W60 IA OD		2
8	9195 158 13484	RC380B LED42S-5700 G5 L60W60 IA OD		2
9	9195 158 13485	RC380B LED42S-6500 G5 L60W60 IA OD		2

Remarks

- IAO and POE Codes will be released in November'19.
- Lumen package refers to the standardized models of 6500K CRI80, different CCT/CRI will have slightly different lumen output.



ignify